

Specification sheet LX 3044

Roof drainage systems LORO-DRAINJET® Mini DN 70 in box gutter from 150 mm

Main drainage

Siphonic flow

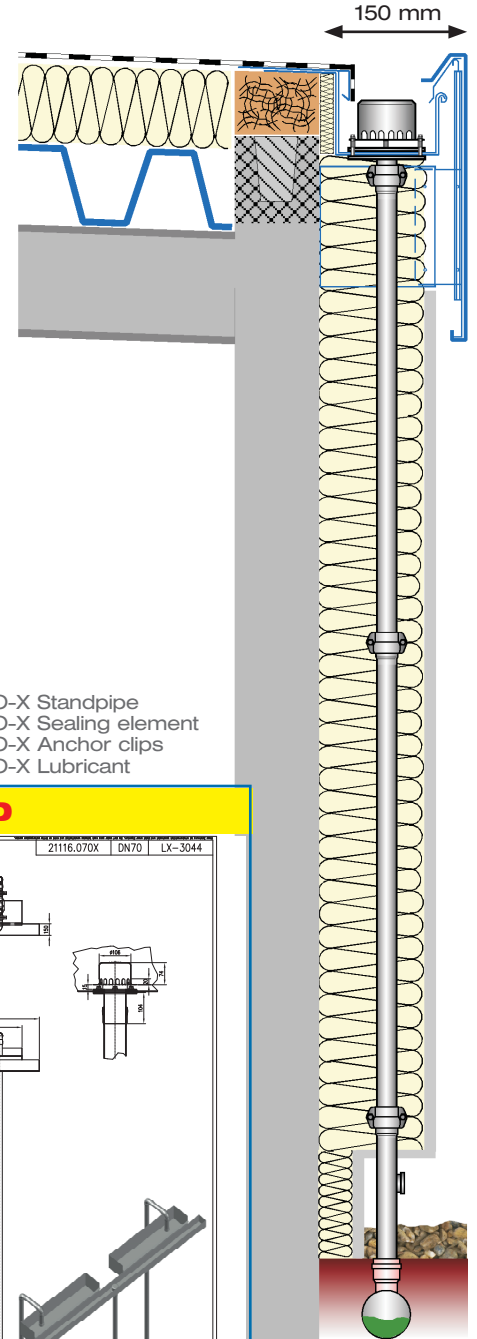
Silent Power

Discharge rate:	5.7 l/s
Water height:	55 mm
Roof penetration:	-
Diameter:	DN 70
LX-Number:	LX 3044
Weir height:	0 mm
Drain:	not ventilated
Downpipe:	not ventilated
Downpipe height:	4.2 m
Drainage:	in sewer
Flange:	clamping flange

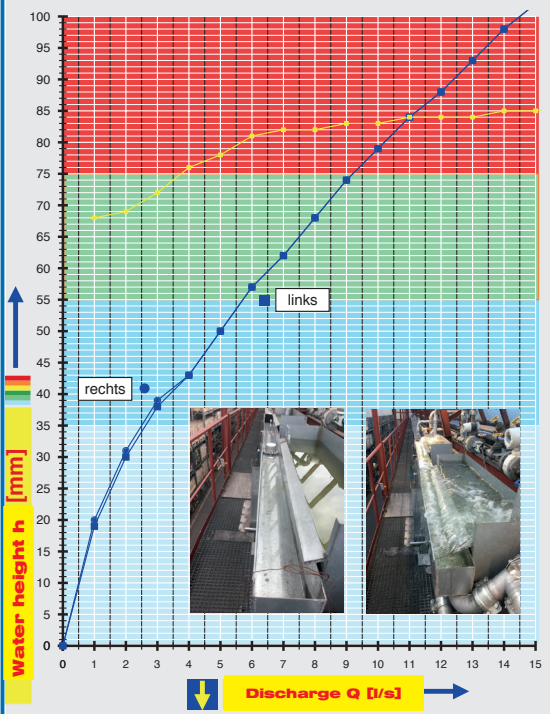
LX 3044 Piece list

1 x Art.-No. 21116.070X, DRAINJET® Mini DN 70
 1 x Art.-No. 01401.070X, LORO-X Pipe with one socket
 1 x Art.-No. 01201.070X, LORO-X Pipe with one socket
 1 x Art.-No. 01004.070X, LORO-X Pipe with one socket

1 x Art.-No. 05510.070X, LORO-X Standpipe
 6 x Art.-No. 00911.070X, LORO-X Sealing element
 3 x Art.-No. 00806.070X, LORO-X Anchor clips
 1 x Art.-No. 00986.000X, LORO-X Lubricant

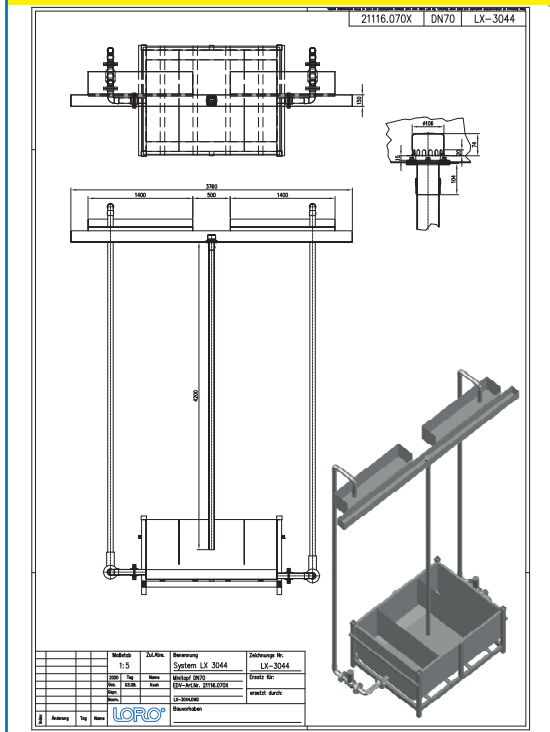


hQ - Head Discharge curve



Systempower

CAD



Systemshape

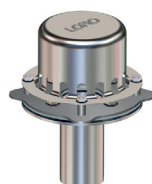
Water height	mm	20	25	30	35	40	45	50	55	60	65	70	75	80	85	90	95	100
Discharge	l/s	1,1	1,5	2,0	2,5	3,4	4,3	5,0	5,7	6,6	7,6	8,4	9,2	10,2	11,3	12,4	13,4	14,5
Silent Power																		

LORO-DRAINJET® Mini, DN 70

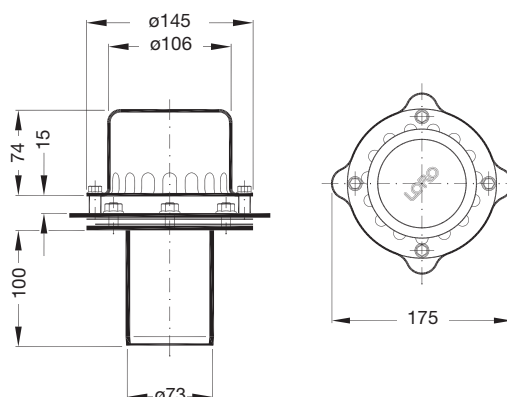
LORO-X DRAINJET® Mini

with clamping flange for
box gutter

Drain: Art.-No. 21116.070X



LX3044-5X



LORO-X pipe with one socket

made of galvanized steel, DN 70

250 mm long Art.-No. 01401.070X

1000 mm long Art.-No. 01201.070X

2500 mm long Art.-No. 01004.070X



LORO-X standpipe

with cleaning opening

made of galvanized steel, DN 70

1000 mm long Art.-No. 05510.070X

weight: 3.1 kg



LORO-X anchor clip

made of galvanized steel, DN 70

Art.-No. 00806.070X

weight: 0.5 kg



LORO-X sealing element

Art.-No. 00911.070X

weight: 0.2 kg

